

Rotary Disconnectors



SRS Type

12 kV | 36 kV

aktif

SRS Type Rotary Disconnectors

In case of on-load switching operation is not necessary, the disconnect operation can be done safety without required any other switching equipment. In case of on-load switching operation is necessary, together with connectors or Circuit Breakers, the disconnecting operation can be done safety. SRS Type Rotary Disconnectors are manufacturing as 3 poles and 2 positions. Together with SES Type Earthing Disconnectors, SRS Type Rotary Disconnectors can be used as 3 poles and 3 positions.

Standards

- IEC 62271-102

Application Areas

- Medium Voltage Switchgear

Advantages

- Disconnecter position indicators are available at the operation mechanism.
- Due to the air insulation type, SRS Rotary Disconnecter
- Positions can be observe easily.
- In case of fault at the poles, related pole contacts can be easily replaced and the Disconnectors can continue to the operation with very low coast.
- Provides interlock between Disconnectors and earthing disconnectors to protect non proper operation.
- SRS Type Rotary Disconnecter operation mechanisms

- Provides mechanical interlock between switchgear doors and disconnectors to protect non proper operation.
- SRS Type Rotary Disconnecter operation mechanisms provides mechanical interlock between disconnecter and circuit breaker to protect non proper operation (Disconnecter and Circuit Breaker interlocks should be coupled)
- Enough free space into frame to install OVI and OVI-R Capacitive Voltage Indicators.
- In case of need 1 pcs Com - NO - NC Auxiliary Contact can be optionally install.
- SRS Type Rotary Disconnecter operation mechanisms



Technical Specifications

Product Type	Ur*	Ir	Ik	tk	Ud	Up	Ip	
SRS-12/630-1601	12 kV	630 A	16 kA	1 s	28 kV	75 kV	40 kA	
SRS-12/630-2001			20 kA				50 kA	
SRS-12/630-2501			25 kA				63 kA	
SRS-12/1250-1601		1250 A	16 kA				40 kA	
SRS-12/1250-2001			20 kA				50 kA	
SRS-12/1250-2501			25 kA				63 kA	
SRS-36/630-1601	36 kV	630 A	16 kA		1 s	70 kV	170 kV	40 kA
SRS-36/630-2001			20 kA					50 kA
SRS-36/630-2501			25 kA					63 kA
SRS-36/1250-1601			16 kA					40 kA
SRS-36/1250-2001			20 kA					50 kA
SRS-36/1250-2501			25 kA					63 kA

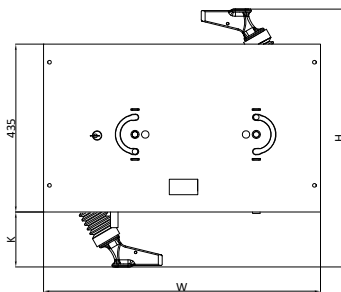
Dimensions

Product Type	Ur	Ik	Ud	Up	Ip	L (mm)	H (mm)	W (mm)	A (mm)	B (mm)	C (mm)	D (mm)	E (mm)	F (mm)	G (mm)	I (mm)	J (mm)	K (mm)
SRS-12/630-1601	12 kV	16 kA	28 kV	12 kV	40 kA	862	700	742	200	200	195	110	645	713	725	220	345	159
SRS-12/630-2001		20 kA			50 kA	862	700	742	200	200	195	110	645	713	725	220	345	159
SRS-12/630-2501		25 kA			63 kA	862	700	742	200	200	195	110	645	713	725	220	345	159
SRS-12/1250-1601		31,5 kA			80 kA	862	700	742	200	200	195	110	645	713	725	220	345	159
SRS-12/1250-2001		40 kA			100 kA	862	700	742	200	200	195	110	645	713	725	220	345	159
SRS-12/1250-2501		50 kA (1sn)			125 kA	862	700	742	200	200	195	110	645	713	725	220	345	159
SRS-36/630-1601	36 kV	16 kA	72 kV	36 kV	40 kA	1462	890	992	350	350	345	110	1245	908	960	320	445	259
SRS-36/630-2001		20 kA			50 kA	1462	890	992	350	350	345	110	1245	908	960	320	445	259
SRS-36/630-2501		25 kA			63 kA	1462	890	992	350	350	345	110	1245	908	960	320	445	259
SRS-36/1250-1601		31,5 kA			80 kA	1462	890	992	350	350	345	110	1245	908	960	320	445	259
SRS-36/1250-2001		40 kA (1sn)			100 kA	1462	890	992	350	350	345	110	1245	908	960	320	445	259
SRS-36/1250-2501		50 kA (1sn)			125 kA	1462	890	992	350	350	345	110	1245	908	960	320	445	259

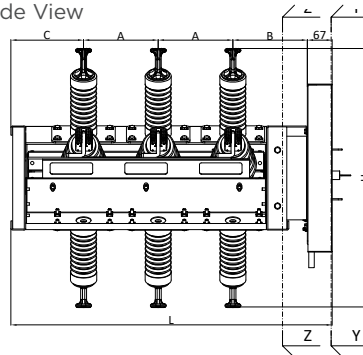
Ur : Rated voltage
Ir : Rated Current
Ik : Rated short time current
tk : Rated duration of short time circuit

Ud : Rated power frequency withstand voltage
Up : Rated impulse withstand voltage
Ip : Rated peak withstand current

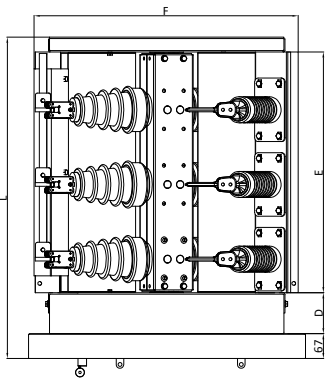
Front View



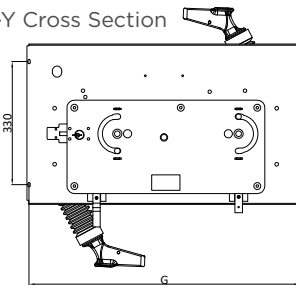
Side View



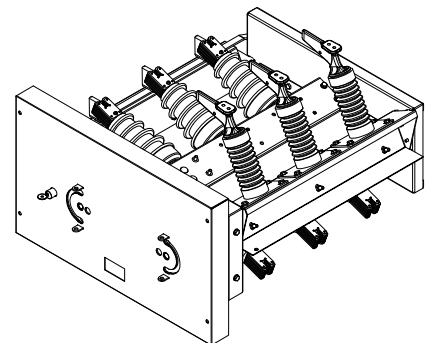
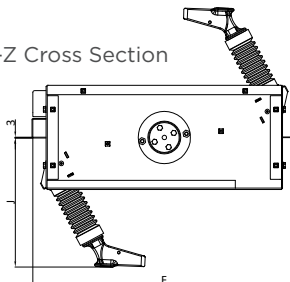
Top View



Y-Y Cross Section



Z-Z Cross Section



aktif



Doc. Nr: SRS-20220719/Eng Owing to periodical improvements of our products the supplied products may differ in some details from the data stated in the prospectus material. Published by Aktif Data subject to alteration without notice. Design & Creation: Aktif / Photos: Aktif - Stock.xchng & Shutterstock, Published Date: 19.07.2022

Headquarters

Bayraktar Bul. Şehit Sk. No: 5
34775 Ümraniye, Istanbul, TR
Phone : +90 (216) 314 93 20
Fax : +90 (216) 314 93 60
www.aktif.net - info@aktif.net



Germany Office

Bahnhofstrasse 82-86 35390
Giessen, Germany
Phone : +49 176 60940534
www.aktif.net
info.de@aktif.net



HV Factory

Akşemsettin Mah. Çatalca Sk.No.113 06930
Sincan, Ankara, TR
Phone : +90 (312) 269 46 02
Fax : +90 (312) 269 45 01
www.aktif.net - info@aktif.net



LV Factory

Kargalı Hanbaba Organize Sanayi, 2. Sk.,
No: 5, Hendek, Sakarya, TR
Phone : +90 (264) 276 64 50
Fax : +90 (264) 276 64 52
www.aktif.net - info@aktif.net

